

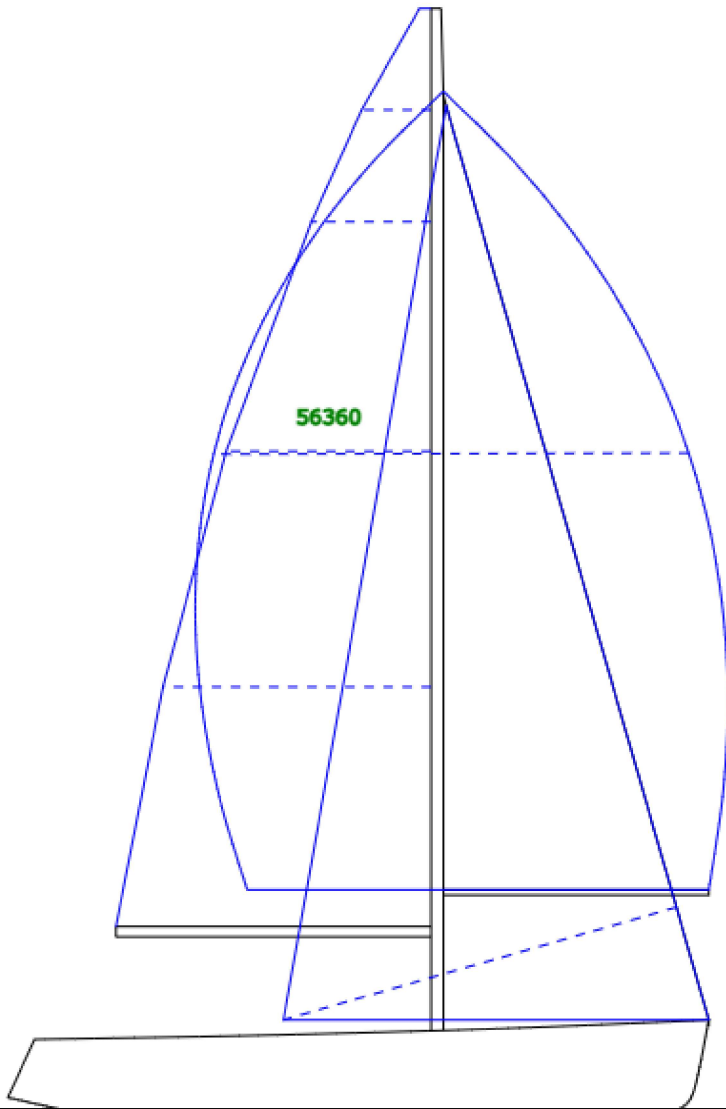
Melokia Beneteau First 36.7 56360

Class: Beneteau First 36.7
 Configuration: One Design
 Sail Number: 56360
 Year Built: 2005
 Builder Test: BENETEAU
 Owner(s): Whittemore, Mike

Certificate #: EZ10760-OD-7
 Valid Year: 2023
 Type: OD Cert
 Issue Date: 2023-08-10
 Exp.Date: 2023-12-31
 Offsets_file: F196.OFF
 Cert Group: ORR-Ez SOCAL
 Comment:

Rig Type: Sloop
 Forestay: Fractional
 Keel Type: Fin
 Prop Type: Folding
 Prop Install: Strut Drive
 Prop Blades: 2

LOA: 35.00 ft
 LWL: 32.19 ft
 Rated Length: 31.98 ft
 Beam Max: 11.32 ft
 Draft: 7.28 ft
 Disp Empty: 12156 lbs
 Disp Sailing: 13860 lbs
 Crew: 1501 lbs
 Water Ballast: lbs
 Wetted Area: 284.4 ft²
 LPS: 109.8 °
 RM20: 800.3 ft·lbs
 Stab Index: 112 °



Spinnaker: Symmetrical flown with spinnaker pole
 Code Zero: No
 Genoa/Jib Leech: No Roach - Leech is straight
 Large Roach Headsail: No
 Jib Furler: No
 Main Roller Furling: No

Rig Dimensions
 IG: 46.26 ft
 ISP: 46.49 ft
 J: 13.12 ft
 P: 45.44 ft
 E: 15.58 ft
 SPL: 13.12 ft

Mainsail Meas.
 HB: 0.57 ft
 MGT: 3.43 ft
 MGU: 5.92 ft
 MGM: 10.13 ft
 MGL: 13.25 ft
 Area: 434.4 ft²

Jib/Genoa Meas.
 LP: 20.21 ft
 LPG %: 154.0 %
 J Luff: 47.08 ft
 J Leech: ft
 Area: 475.9 ft²

Symmetric Spin. Meas.
 SL: 45.80 ft
 SMW: 23.49 ft
 SF: 22.83 ft
 Area: 891.6 ft²

Melokia Beneteau First 36.7 56360

Table of Time Allowances (sec/mile)* (at True Wind Angles)

True Wind Speed	4 kts	6 kts	8 kts	10 kts	12 kts	16 kts	20 kts	24 kts
Opt Beat Angle	45.6	44.7	43.6	40.4	38.1	36.0	35.8	36.1
Beat VMG	1,423.3	1,026.8	838.9	752.3	712.2	678.3	667.3	665.1
52°	903.32	662.23	551.64	519.20	504.83	491.03	484.10	481.33
60°	820.76	616.06	528.60	501.61	489.06	476.20	469.39	466.22
75°	745.88	574.36	509.81	480.98	468.95	453.13	442.88	436.40
90°	746.95	568.37	496.46	467.20	451.76	432.05	420.20	411.95
110°	743.48	569.40	501.69	468.34	443.81	412.34	394.78	382.75
120°	794.12	599.89	519.01	484.57	459.22	416.60	382.44	366.60
135°	1,071.3	747.2	588.93	524.54	490.45	442.80	402.41	357.94
150°	1,312.0	915.2	719.7	596.8	529.88	467.67	426.21	387.94
165°	1,463.4	1,020.7	802.7	665.6	576.8	490.67	444.87	407.76
Run VMG	1,515.0	1,056.7	831.0	689.1	597.2	504.3	455.5	418.1
Opt Run Angle	130.4	133.3	137.1	149.3	161.5	173.0	173.7	173.0

* Sec/mile rating assume gybing downwind when target angles are deeper than best VMG angles.

Performance Metrics

SA/D Dnwind:	36.770
SA/D Average:	31.01
SA/D Upwind:	25.240
D/Length:	189.1
Ave Perf Screen:	16.400
DnWind Perf	19.4
Screen:	

Standard Ratings

	TOT (Spin)				TOD (Spin)			
	V.Light	Light	Medium	Heavy	V.Light	Light	Medium	Heavy
RANDOM LEG	0.405	0.642	0.858	0.998	1,184.8	746.6	559.0	480.4
W50/L50	0.392	0.635	0.873	1.031	1,498.3	925.4	672.5	569.4
W60/L40	0.403	0.647	0.877	1.015	1,489.2	926.2	683.6	590.7
MOSTLY WW	0.443	0.692	0.887	0.968	1,364.1	872.3	680.6	623.5
MOSTLY LW	0.390	0.618	0.845	1.050	1,214.0	765.6	560.2	450.9

Benchmark Ratings

	TOT (Spin)	TOD (Spin)
GPH	0.852	620.2
IR#	0.868	617.0

ORR-Ez PHRF

TOD (Spin)
80.7

ORR-Ez PHRF are based on the Farr 40 MH as Scratch Boat.

Standard PCS Ratings

	TOD (Spin)							
	4	6	8	10	12	16	20	24
RANDOM LEG	1,185.7	849.1	687.8	602.2	553.3	504.0	479.2	462.6
W50/L50	1,498.4	1,060.8	848.2	731.8	663.9	597.7	566.8	546.8
W60/L40	1,489.2	1,058.4	849.9	738.5	675.4	615.2	588.2	571.8
MOSTLY WW	1,364.0	983.9	803.9	717.4	674.7	636.2	621.4	615.1
MOSTLY LW	1,214.2	871.0	707.0	613.6	553.5	486.6	447.4	422.2

ORR-Ez PHRF Time Allowance 4 Winds

	TOD (Spin)			
	V.Light	Light	Medium	Heavy
RANDOM LEG	194.4	113.3	77.1	76.8
W50/L50	291.4	157.0	85.8	83.0
W60/L40	273.1	151.6	87.5	85.2
MOSTLY WW	197.0	121.6	80.9	82.1
MOSTLY LW	269.5	145.7	82.4	76.8

Melokia Beneteau First 36.7 56360

Table of Time Allowances (sec/mile)* (at True Wind Angles)

True Wind Speed	4 kts	6 kts	8 kts	10 kts	12 kts	16 kts	20 kts	24 kts
Opt Beat Angle	45.6	44.7	43.6	40.4	38.1	36.0	35.8	36.1
Beat VMG	1,423.3	1,026.8	838.9	752.3	712.2	678.3	667.3	665.1
52°	903.32	662.23	551.64	519.20	504.83	491.03	484.10	481.33
60°	820.76	616.06	528.60	501.61	489.06	476.20	469.39	466.22
75°	745.88	574.36	509.81	480.98	468.95	455.33	447.23	442.00
90°	738.29	570.26	508.31	476.75	455.64	439.30	428.85	421.25
110°	836.37	627.23	537.58	501.83	476.56	437.99	411.54	401.17
120°	956.61	698.30	578.67	525.85	495.76	453.09	418.32	395.57
135°	1,299.03	897.29	698.16	592.79	533.34	474.86	435.45	400.13
150°	1,590.88	1,066.95	805.04	664.24	573.92	492.00	447.58	411.55
165°	1,686.66	1,136.22	861.20	701.17	601.32	500.21	450.79	412.66
Run VMG	1,714.9	1,154.4	874.3	711.0	609.3	505.8	456.0	418.1
Opt Run Angle	171.9	171.9	172.0	172.1	172.0	173.4	173.7	173.0

Performance Metrics

SA/D:	25.24
D/Length:	189.1
Perf Screen:	13.3

* Sec/mile rating assume gybing downwind when target angles are deeper than best VMG angles.

Standard Ratings

	TOT (Non-Spin)				TOD (Non-Spin)			
	V.Light	Light	Medium	Heavy	V.Light	Light	Medium	Heavy
RANDOM LEG	0.382	0.614	0.832	0.976	1,255.0	781.4	576.1	491.3
W50/L50	0.373	0.617	0.867	1.031	1,576.0	951.8	677.4	569.5
W60/L40	0.386	0.633	0.872	1.015	1,551.0	947.4	687.6	590.8
MOSTLY WW	0.438	0.687	0.885	0.967	1,379.2	878.3	682.1	624.4
MOSTLY LW	0.347	0.576	0.817	1.019	1,362.8	821.3	579.5	464.6

Benchmark Ratings

	TOT (Non-Spin)	TOD (Non-Spin)
GPH	0.820	644.8
IR#	0.855	626.0

ORR-Ez PHRF

TOD (Non-Spin)
89.7

ORR-Ez PHRF are based on the Farr 40 MH as Scratch Boat.

Standard PCS Ratings

	TOD (Non-Spin)							
	4	6	8	10	12	16	20	24
RANDOM LEG	1,261.1	896.2	719.7	625.4	570.7	515.9	489.8	474.1
W50/L50	1,588.7	1,107.8	870.9	743.2	670.0	598.7	567.1	546.8
W60/L40	1,561.1	1,096.0	868.1	747.7	680.4	616.0	588.4	571.7
MOSTLY WW	1,381.6	993.9	809.4	720.6	676.3	637.1	622.3	616.0
MOSTLY LW	1,378.1	959.2	752.5	641.1	574.2	502.0	462.0	433.8

ORR-Ez PHRF Allowance 4 Winds

	TOD (Non-Spin)			
	V.Light	Light	Medium	Heavy
RANDOM LEG	264.6	148.1	94.2	87.7
W50/L50	369.1	183.4	90.7	83.1
W60/L40	334.9	172.8	91.5	85.3
MOSTLY WW	212.1	127.6	82.4	83.0
MOSTLY LW	418.3	201.4	101.7	90.5